



Signo T500



Thinking ahead. Focused on life.

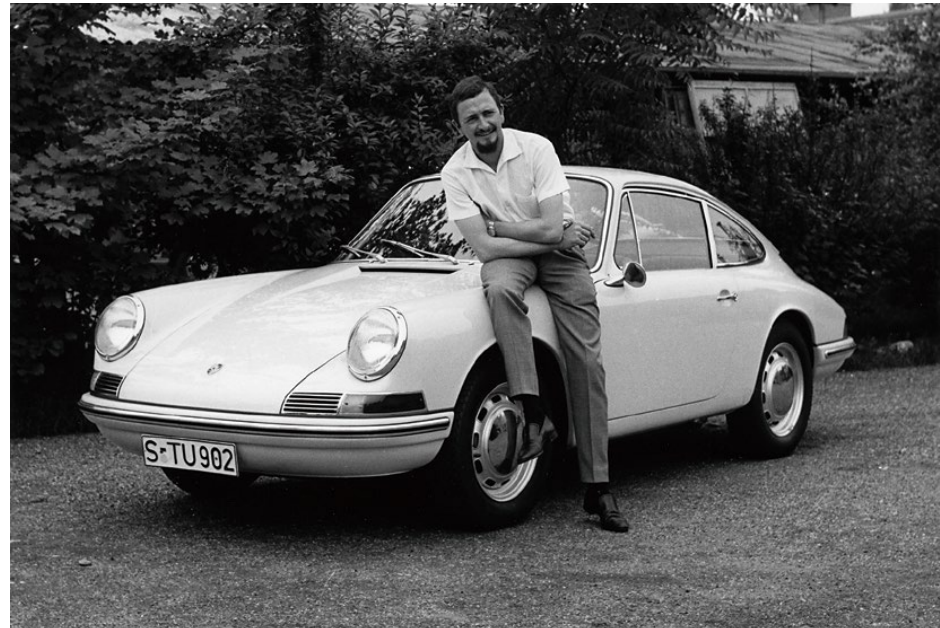
New Era of Signo

Since the creation of our studio by Ferdinand Alexander Porsche in 1972, we are striving for the perfect symbiosis of form and function. Design is not only aesthetics to us, but above all content. This philosophy combined with the legacy of German engineering, forms the basis of our work.

Professor Ferdinand Alexander Porsche (1935-2012), grandson of the Porsche founder, always sought the unusual. Successfully so. He developed the Porsche 911 design, which quickly became the epitome of the sports car and, like many other items designed by Professor F. A. Porsche, it became a design classic.

In 1972, Professor F. A. Porsche established the Porsche Design Studio in Stuttgart. Two years later he moved it to Zell am See, Austria. In the decades that followed, numerous classic men's accessories such as watches, eyewear and writing utensils were created and marketed worldwide under the "Porsche Design" brand. But there was also a large number of industrial products, household appliances, and consumer goods that were developed under the „Design by F. A. Porsche“ brand for internationally known clients.

Design by **STUDIO F·A·PORSCHE**





Universal Comfort

Ergonomic comfortable shape

A novel design holds a stable posture naturally, even when the backrest is lowered. Consideration of body pressure distribution gently reduces the burden on the body. An ergonomic, comfortable shape changes the patient's chair time to relax time.

Functionality that supports smooth treatment

Various functions installed with close attention to detail enable smooth and efficient flow, without hindering movements, so that doctors and assistants can concentrate on treatment. The comfort of patients, doctors, and assistants are all included.





Premium Dental Treatment



Minimum height of only 400 mm makes sitting and getting up easy

A seat height of only 400 mm in its lowest position allows seniors and children to get on and off the chair with ease. Since the highest position can be secured up to 800 mm, it is also effective for surgical procedures performed in a standing position.



Gentle, shockless design

A shock-less mechanism adopts slow starts and stops to virtually abrupt movements when changing the up/down and reclining/upright positions of the chair. The speed can be switched between standard and low-speed modes.



Rolling headrest (Option)

In addition to the high/low and back/forth movement of the headrest, a rocking function that assists the movement of the patient's head swing has been added.



Patient Comfort



Twin-axis headrest fitting to the head

Twin-axis headrest accommodates a wide range of motion to follow closely the patient's head position, supporting a stable posture for patients from children to seniors.



Backrest sliding up and down (Option)

The backrest slides up and down to match the body shape of large and tall patients. This reduces cramping and instability.



Easy-gargle electric basin (Option)

This basin moves to a position the patient can easily access when gargling. It eliminates unnecessary movements and reduces stress for patients.



Tilting mechanism prevents patient's back from shifting

When the chair is tilted, the seat moves in unison with the backrest, preventing the patient's back from shifting. The comfort of moving smoothly along the body helps keep the patient feeling relaxed.

Benchmark in Treatment Comfort



Luna Vue TS with touchless sensor (Option)

The integrated Luna Vue TS OP light can be switched on and off contact-free as required using the adjustable touchless sensors. The handles of the powerful OP light can be detached in the practice for autoclaving – to ensure optimum hygiene consideration.



Luna Vue TL with shadow reduction (Option)

In this version of the OP light, twelve powerful LEDs radiate from different directions and angles, guaranteeing a bright, shadow-free treatment site. You can also show the patient the situation in the oral cavity quickly and easily using the optionally integrated EL mirror.



Electric natural movement (Option)

Adjustment of the headrest according to the treatment/operation type and the patient's body can be performed smoothly without a hand using the foot controller.

NOTE: A shoulder switch for electrically operating the headrest can also be added. (Option)



Foot control with various extended functions

On the foot control, you can select extended functions that can be performed by the feet, such as handpiece control and automatic chair operation. By grouping such operations at your feet, you can further concentrate on treatment. (Option)

Excellent Design



reddot design award
best of the best 2019

Signo T500

Technology meets Aesthetics

The new Signo T500 is based on a clear architectural structure focused on a modular set-up.

The new Signo T500 represents an uncompromised result of the Morita DNA.

- Maximum functionality.
- Timeless design.
- High-end manufacturing quality.
- Maximum versatility.
- Solidity, reliability and longevity.

A sophisticated color and material finish complements the DNA.

The product portrays a symbiosis of technology and furniture.

The new Signo T500 encompasses ideally the general design philosophy of Studio F. A. Porsche with the professional standards of Morita.

Additionally, the concept is orientated around ease of maintenance and fulfills even the most complex ergonomic demands.





Table Arm Variations



Floor Mount



Over Arm



Cart

Clear Navigation

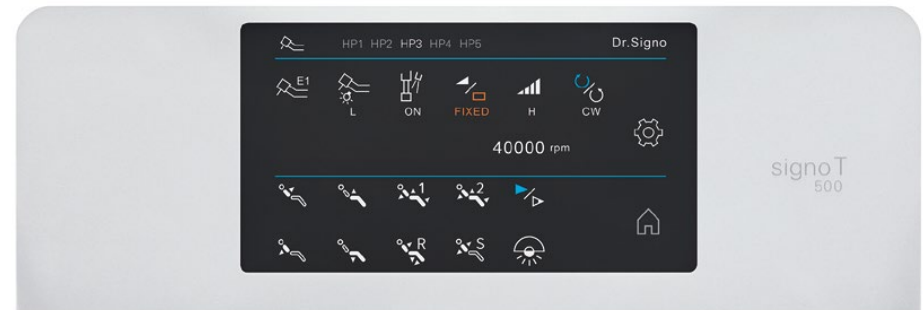
Tact switch control panel

Includes touch buttons with a click feeling to prevent press error and a backlit panel to improve visibility. Easy to understand, intuitive, and reliable operability.



Operation control panel (Option)

Root canal length measuring function operation, instrument settings, and other info can be accessed from the multifunction touch panel.



Full communication with display installation

A display monitor can be attached to the tray. Still images, videos and X-rays of the oral cavity by Luna Vue Shot support easy-to-understand informed consent.



Easy Maintenance



Flushing device (Option)

Flushing device drains residual water from the unit's piping. The flushing adapter can be stored in the unit.



Vacuum system rinsing system

Vacuum piping and saliva ejector piping can be cleaned easily using the dedicated cleanser.



Vacuum filter

The vacuum filter to be cleaned every day is located behind the assistant-side holder where it is easy to access.



Sterilization cartridge

The sterilization cartridge is a porous hollow-fiber membrane which captures general bacteria, Escherichia coli, fine particles, and other contaminants in the water circuit and supplies clean air and water. (Cartridge for air:Option)



Water line cleaning system (Option)

Water line cleaning system retains dedicated cleaning liquid in the pipeline to keep the water supply line cleaner at night and during holidays.



Infection Control



Easy-to-remove holders

Each holder portion of the six-instrument holder can be detached with a single gesture and is autoclavable, improving everyday cleanability and making hygiene management easier.



Removable tray handle

The silicone handle can be removed easily for autoclaving. Hygiene maintenance of parts touched by hand was an important design consideration.



Assistant-side holders are also removable

The vacuum holders, with which blood and other impurities are a common concern, are also removable. The holders are designed to be easy to clean and, of course, autoclavable.



Removable light handle

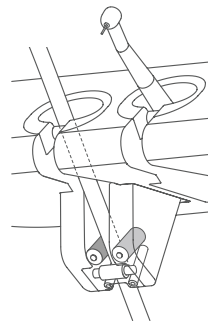
The handle of Luna Vue TS is also designed to be removable since it is touched frequently. The removable handle is autoclavable.

Efficient Operation



Enhanced to make picking up and returning instruments natural

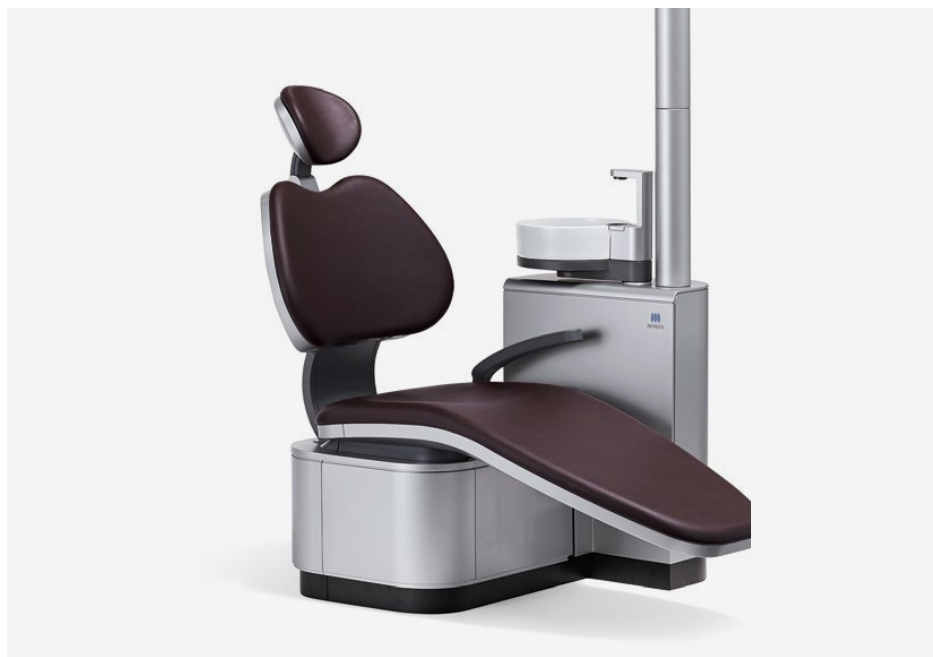
The six-instrument holder has a wide movable range and moves independent of the tray. The holders can be arranged freely according to the type of treatment and the doctor's position, and can also accommodate plug types. The high efficiency that results from more natural movements when picking up and returning instruments enhances concentration on treatment. Furthermore, considering the burden on the wrist, an AI catch function that reduces the weight of the tube is also included (a standard feature for turbine 1st circuit).



AI Catch (Air Instrument Catch)



Chair Types



Contour type



Foot support type

Colors



Lamb (T-WH)



Clay (T-BE)



Caribou (T-BR)



Black (T-BK)



Deep Red (T-RE)



Soleil (T-OR)



Night Sky (T-BL)



Aloe (T-GR)



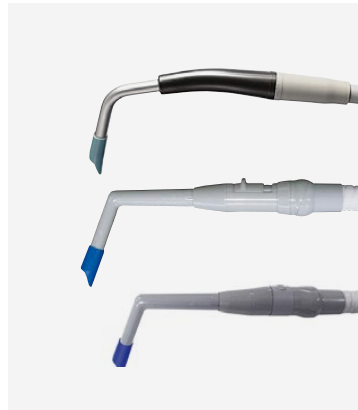
Equipment



Three way syringe
WS97



Ultrasonic scalers
Solfy F (LED)
Newtron (LED)



Vacuum syringes
VS-90WC
Rotary vacuum syringe
Grip-switch type vacuum syringe



EL mirror



Small tray and paper holder



Free-mount vacuum



Mouse tray



Separately mounted piping pit



Doctor-side armrest

Stand Units

Stand unit

The height of the basin is fixed, while only the chair can move up and down. The gargle position can therefore be set according to the patient's height.





Microscope

Microscope mountable

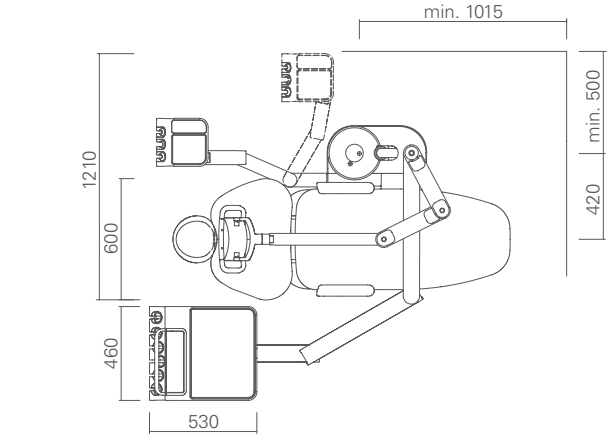
Floor-fixed stand unit reduces blurring during lifting. Also equipped with a low chair-speed mode. High-precision treatment can be performed when a microscope is mounted.



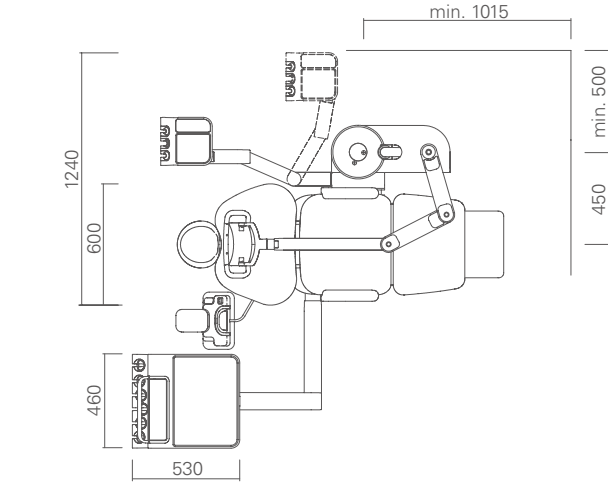


Specifications

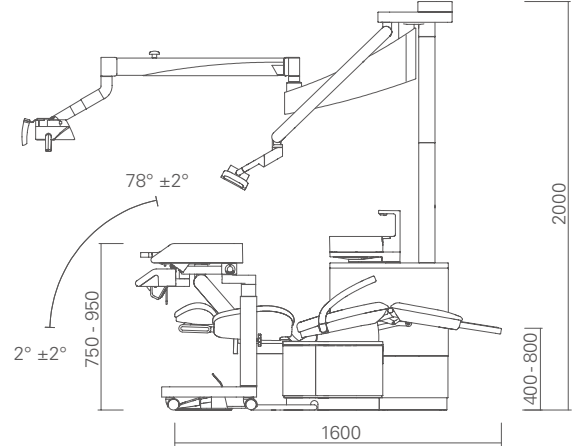
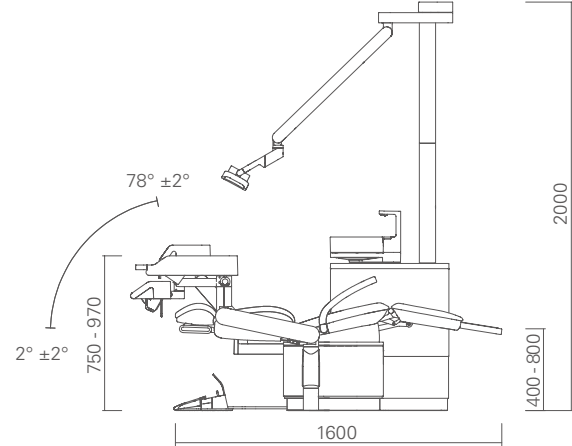
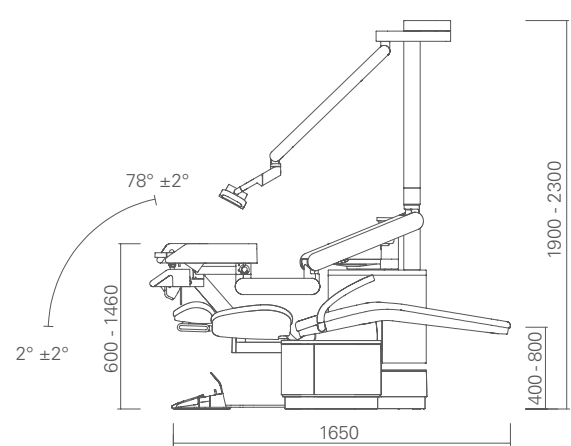
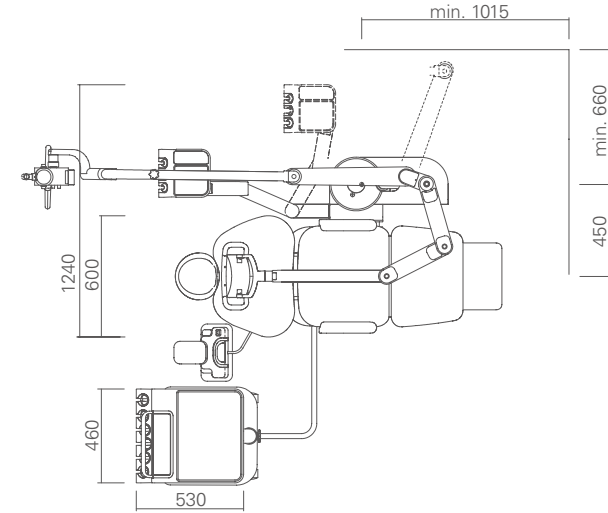
Chair Mount
Contour Type, Over Arm



Stand Unit
Foot Support Type, Floor Mount



Stand Unit with Microscope
Foot Support Type, Cart



Standard equipment

TwinPower Turbine 4H
Micromotor Torx TR-S3
- TorqTech ST-DH
- TorqTech CA-DC
Three way syringe WS97
Vacuum syringe VS110 (with suction strength adjustment)
Saliva ejector SE110 (with suction strength adjustment)
Tact switch control panel
Doctor-side six-instrument holder (separately movable)
AI Catch (standard for turbine 1st circuit)
Used instrument holder
Twin-axis headrest
Assistant-side armrest
Foot control FCA01
Shockless motion / 2-speed controller
Automatic position controller 4 positions
Vacuum tank separator type
Vacuum tank automatic rinsing function
Vacuum system rinsing system (rinsing with Mazak)
Movable basin (manual type)
Luna Vue TS
Sterilization cartridge (water)
Automatic filler water supply (with a light sensor that detects paper cups/basin automatic rinsing)
One-touch connectors (water supply/air supply)

Options

Turbine variable-speed device
Clean air system
Micromotor Torx TR-S3-O (with LED light)
Root canal length measuring function-enabled
Torx TR-S3-R-O (with LED light)
Three way syringe WS97
Ultrasonic scaler Solfy F (with/without LED light)
Newtron (with/without LED light)
Vacuum syringe VS90WC
Rotary vacuum syringe VS110R
LED photopolymerizer PenCure 2000 with charging holder (cannot be used in combination with gas burner)
Intra oral camera Penviewer VIS-USB build in
Root canal length measuring function incorporated (only supported with the operation control panel)
Operation control panel
Tablet stand
Liquid crystal monitor adaptor (tray mounting type)
Liquid crystal monitor arm (light pole mounting type)
19-Inch liquid crystal display
Mouse tray
Small tray (all specifications including floor, cart, and over-the-patient types)
Small tray and paper holder (floor and cart types)
Paper holder (over-the-patient type)

Doctor-side armrest
Backrest slide mechanism
Foot control (Extended function addition type: automatic operation / Electric head)
Electric headrest (natural movement / natural movement with rolling function)
Backrest manual switch for electric headrest (natural movement operation)
Electrically movable basin
Flushing device
Water line cleaning system (cannot be used in combination with free-mount vacuum)
Free-mount vacuum Free Arm ARTEO (cannot be used in combination with water line cleaning system)
Luna Vue TL
EL mirror (Luna Vue TL only)
Touchless sensor for operating light
Adapter for microscope (for stand unit only; cannot be used with over-the-patient tray)
Separately mounted piping pit
Sterilization cartridge (for air)



Development and Manufacturing

J. MORITA TOKYO MFG. CORP.

Komuro 7129, Ina-machi, Kitaadachi-gun, Saitama, 362-0806 Japan

T +81. (0)48. 723 2621, F +81. (0)48. 723 2622

Morita Global Website

www.morita.com

Distribution

J. MORITA CORP.

3-33-18 Tarumi-cho, Suita-shi, Osaka 564-8650, Japan

T +81. (0)6. 6380 1521, F +81. (0)6. 6380 0585

MORITA DENTAL ASIA PTE. LTD.

150 Kampong Ampat #06-01A KA Centre, Singapore 368324

T +65. 6779. 4795, F +65. 6777. 2279

J. MORITA CORP. AUSTRALIA & NEW ZEALAND

Suite 2.05, 247 Coward Street, Mascot NSW 2020, Australia

T +61. (0)2. 9667 3555, F +61. (0)2. 9667 3577

J. MORITA CORP. MIDDLE EAST

4 Tag Al Roasaa, Apartment 902, Saba Pacha 21311 Alexandria, Egypt

T +20. (0)3. 58 222 94, F +20. (0)3. 58 222 96

J. MORITA CORP. INDIA

Filix Office No.908, L.B.S. Marg, Opp. Asian Paints, Bhandup (West), Mumbai 400078, India

T +91-22-2595-3482

SIAMDENT CO., LTD.

71/10 Mu 5, Thakham, Bangpakong, Chachuengsao 24130, Thailand

T +66. 38. 573042, F +66. 38. 573043

www.siamdent.com

PUB.NO.MK9002.1.1907500YHN.JPC

Diagnostic and Imaging Equipment

Treatment Units

Handpieces and Instruments

Endodontic Systems

Laser Equipment

Laboratory Devices

Educational and Training Systems

Auxiliaries