



Veraviewepocs 2D



Veraviewepocs 2D

The New Frontier of X-ray

MORITA's cutting edge technology produces 2D images of superior quality with high resolution and low X-ray exposure.

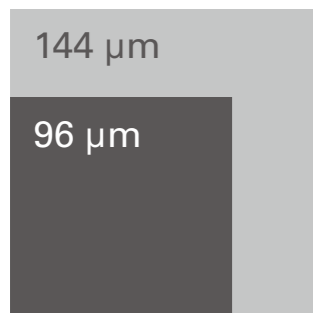
The Veraviewepocs 2D features a variety of specialized programs, such as the Orthoradial Panoramic projection, which reduces the overlapping of neighboring teeth, and Shadow Reduction Panoramic projection, which reduces obstructing shadows, as well as the AF (Auto-focus) function for accurate patient positioning.

Panoramic



Super High Quality Image

Veraviewepocs produces high resolution even in High Speed Mode. The resulting image offers superb density and contrast. Digital Direct AE (Automatic Exposure) and Automatic Image Enhancement combine to give you the optimal image.

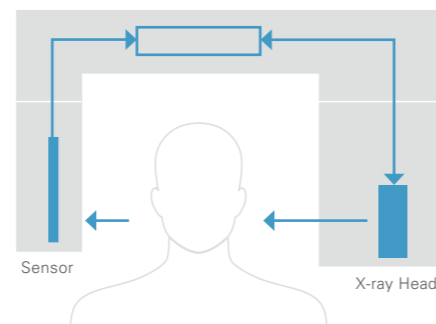


Fine High Speed Mode: pixel size 144 μm
Super Fine Mode: pixel size 96 μm

High Resolution

Fine High Speed Mode:
At a pixel size of 144 μm , it produces superior high resolution images.

Super Fine Mode:
Produces an even better image with increased resolution.



Digital Direct Automatic Exposure (DDAE)

DDAE adjusts the X-ray tube current (mA) dynamically by detecting X-rays passing through the patient. This improves the dynamic range, and, along with Automatic Exposure (AE), results in exceptionally clear images with the best possible contrast and density. The automatic exposure level can be adjusted to meet your individual requirements.



Conventional Image



Automatic Image Enhancer comparison



Automatic Image Enhancement (AIE)

Automatic Image Enhancement enhances the details that can be observed in areas which are either extremely light or extremely dark. DDAE and AIE perform a logarithmic conversion to produce the highest quality image possible.



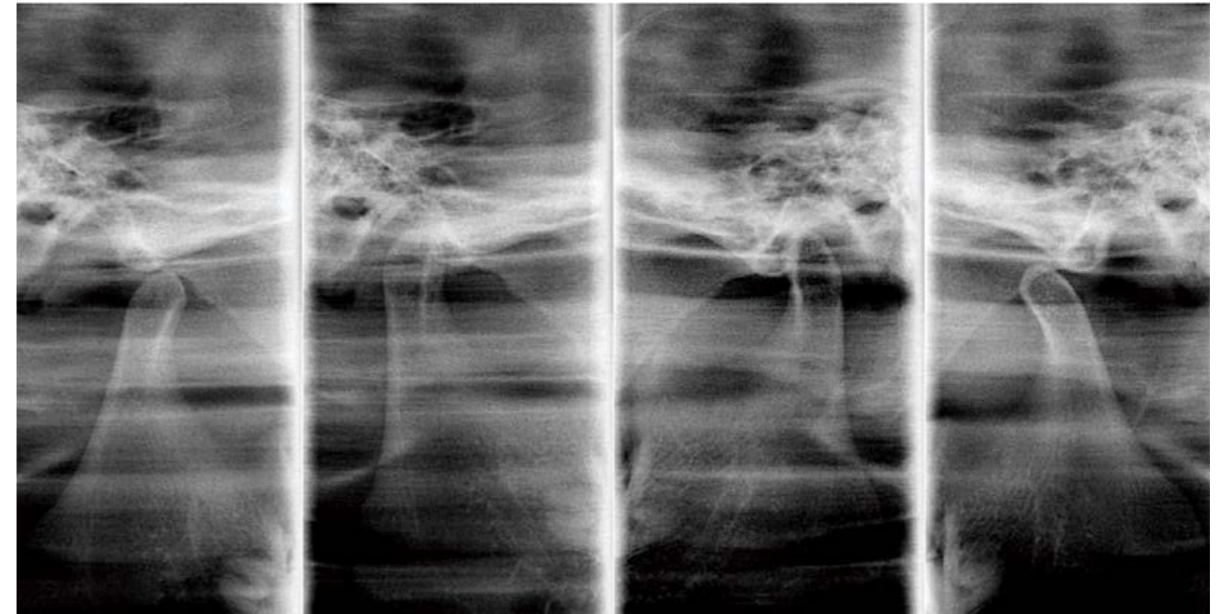
Panoramic



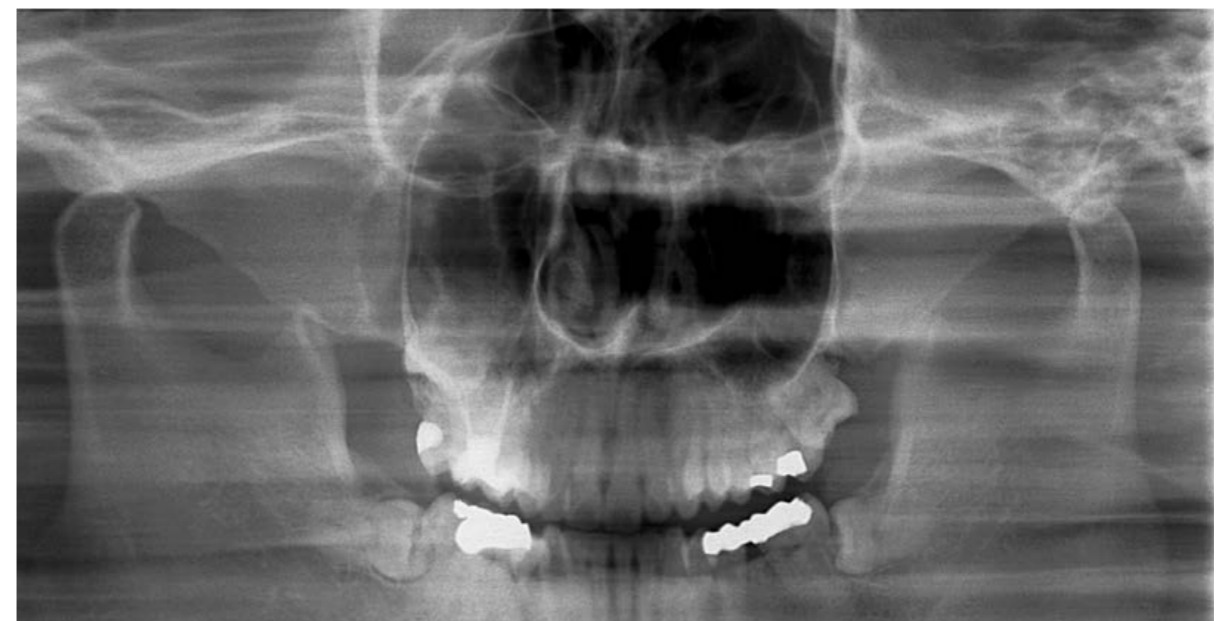
Standard Panoramic, Mag.: 1.3 x constant
The thick/specially-designed image layer accommodates all the possible variations of dental arch shapes and sizes to produce extremely clear and sharp images.



Pedodontic Panoramic, Mag.: 1.3 x constant (Mag.: 1.6 x is also available)
For children or people with small jaws. The arm's rotation range is reduced, and thus reduces X-ray exposure.



TMJ 4 Views, Mag.: 1.3 x constant
Sharp, clear images of the TMJ are produced by aligning the angle of X-ray penetration with the longitudinal axis of the mandibular condyle head.

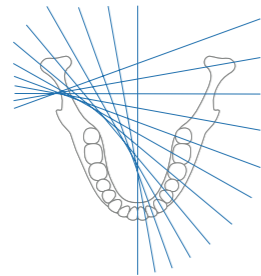


Maxillary Sinus Panoramic, posterior Mag.: 1.5 x constant

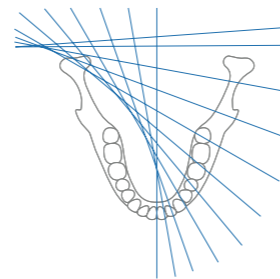
Panoramic



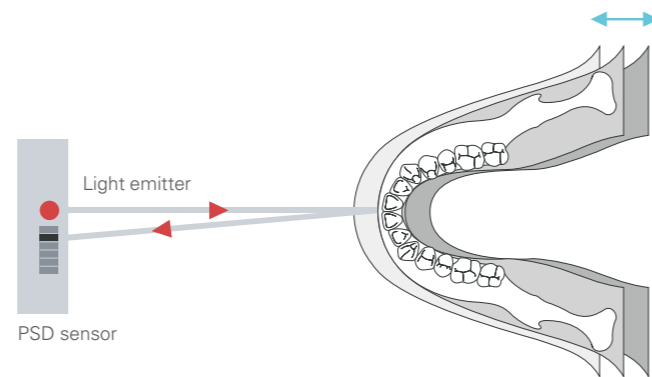
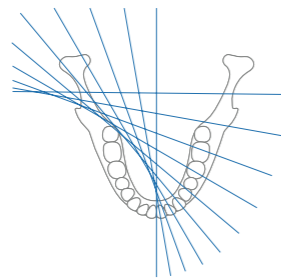
Standard Panoramic,
Mag.: 1.3 x constant
The thick/specially-designed image layer accommodates all the possible variations of dental arch shapes and sizes to produce extremely clear and sharp images.



Shadow Reduction Panoramic,
Mag.: 1.3 x constant
(Mag.: 1.6 x is also available)
Produces images with less mandibular ramus shadow.



Orthoradial Panoramic,
Mag.: 1.3 x constant
(Mag.: 1.6 x is also available)
The perpendicular projection of the X-ray reduces the amount of overlapping with emphasis on the maxillary bicuspid region.



AF Automatic Positioning

The light beam sensor automatically positions the C-arm without requiring the patient to move. It then measures the distance to the patient's anterior teeth and AF automatically moves the C-arm into the optimal position. This creates images with a high degree of reproducibility.

The semiconductor position detector (PSD sensor) measures distance with an extreme accuracy of 0.2 mm for high reproducibility. AF makes positioning easy and precise.

Cephalometric



LA

Patient health first: only 1/10* X-ray exposure

With only a tenth of the X-ray radiation, the radiation exposure is reduced significantly compared with conventional X-rays.

High quality images with a wide dynamic range

Far more information about hard and soft tissue is received with just a single acquisition.

Fine High Speed CCD digital cephalometric

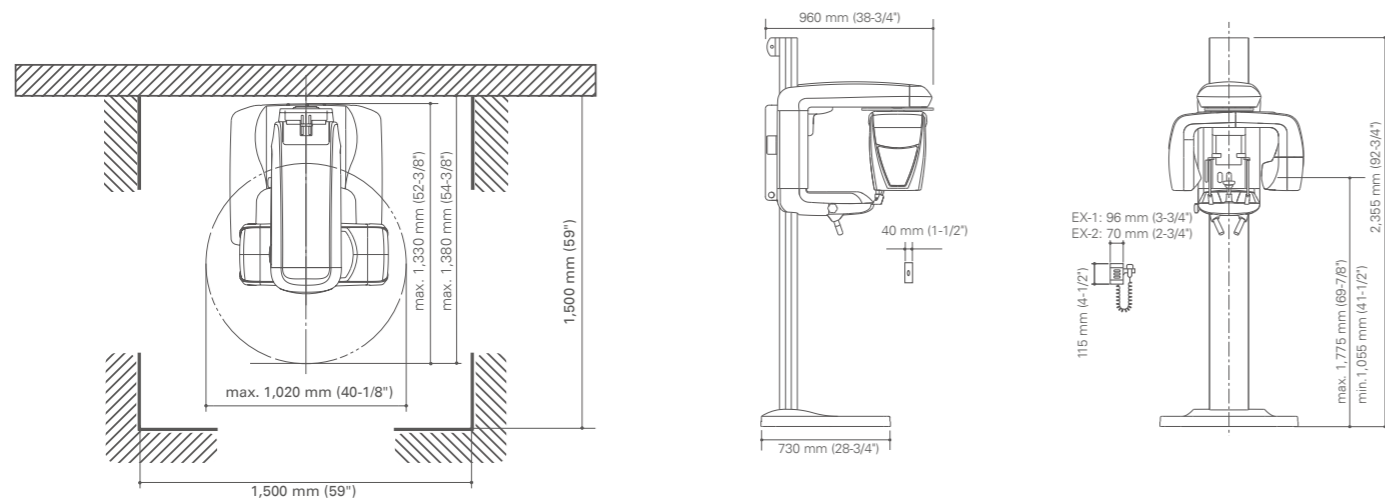
High quality images in only 4.9 seconds.

Variable image processing techniques are used to generate an impressive grayscale range.

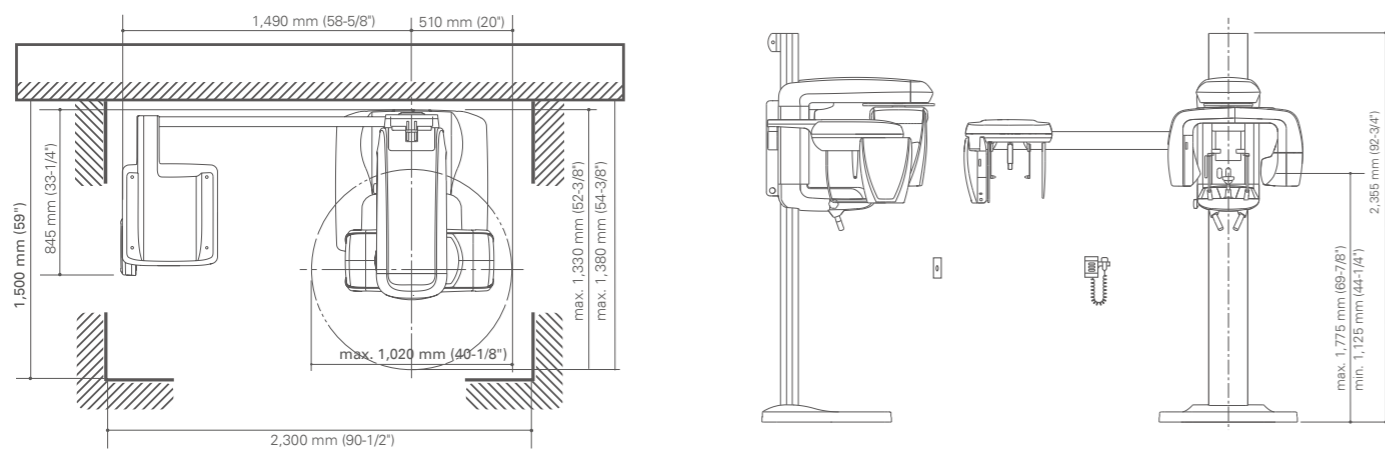
*This comparison is made with the Veraviewepocs film-based system

Specification

Veraviewepocs 2D
Panoramic



Veraviewepocs 2D
Panoramic/Cephalometric



Panoramic Small Base

Panoramic

Panoramic/Cephalometric

Trade name	Veraviewepocs 2D	
Model	X550	
Type	2DA	2DB
Cassette	Pan	Pan/Ceph
Input voltage	EX-1: AC 120V 60 Hz, EX-2: 220/230/240 V 50/60 Hz	
Power consumption	2.0 kVA	
X-ray generator		
Tube voltage	60–80 kV	
Tube current	1–10 mA	
Effective focal spot	0.5 mm	
Panoramic		
Exposure time	Fine high-speed mode approx. 7.4 seconds, Super fine mode approx. 15 seconds	
Magnification ratio	1.3, 1.5, 1.6	
Positioning	Electric motor and AF optical distance sensor	
Cephalometric		
Imaging area	—	LA 225 x 254 mm, PA 225 x 203 mm
Magnification ratio	—	1.1
Dimensions		
Main unit	W 1,020 x D 1,330 x H 2,355 mm (W 40-1/8" x D 52-3/8" x H 92-3/4")	W 2,000 x D 1,330 x H 2,355 mm (W 78-3/4" x D 52-3/8" x H 92-3/4")
Control box	W 70 x D 40 x H 115 mm (W 2-3/4" x D 1-1/2" x H 4-1/2")	
Installation area	1.35 m ² (14.53 sf)	2.60 m ² (27.99 sf)
Weight	Approx. 190 kg (418 lb.)	Approx. 258 kg (568 lb.)



Development and Manufacturing

J. MORITA MFG. CORP.

680 Higashihama Minami-cho, Fushimi-ku,
Kyoto 612-8533, Japan

T +81. (0)75. 611 2141, F +81. (0)75. 622 4595

Morita Global Website

www.morita.com

Distribution

J. MORITA CORP.

3-33-18 Tarumi-cho, Suita-shi, Osaka 564-8650, Japan

T +81. (0)6. 6380 1521, F +81. (0)6. 6380 0585

J. MORITA USA, INC.

9 Mason, Irvine CA 92618, USA

T +1. 949. 581 9600, F +1. 949. 581 8811

J. MORITA EUROPE GMBH

Justus-von-Liebig-Strasse 27b, 63128 Dietzenbach, Germany

T +49. (0)6074. 836 0, F +49. (0)6074. 836 299

MORITA DENTAL ASIA PTE. LTD.

150 Kampong Ampat

#06-01A KA Centre, Singapore 368324

T +65. 6779. 4795, F +65. 6777. 2279

J. MORITA CORP. AUSTRALIA & NEW ZEALAND

Suite 2.05, 247 Coward Street, Mascot NSW 2020, Australia

T +61. (0)2. 9667 3555, F +61. (0)2. 9667 3577

J. MORITA CORP. MIDDLE EAST

4 Tag Al Roasaa, Apartment 902, Saba Pacha 21311 Alexandria, Egypt

T +20. (0)3. 58 222 94, F +20. (0)3. 58 222 96

J. MORITA CORP. INDIA

Filix Office No.908, L.B.S. Marg, Opp. Asian Paints, Bhandup (West), Mumbai 400078, India

T +91-22-2595-3482

J. MORITA MFG. CORP. INDONESIA

28F, DBS Bank Tower, Jl. Prof. Dr. Satrio Kav. 3-5, Jakarta 12940, Indonesia

T +62-21-2988-8332, F + 62-21-2988-8201

SIAMDENT CO., LTD.

71/10 Mu 5, Thakham, Bangpakong, Chachuengsao 24130, Thailand

T +66. 38. 573042, F +66. 38. 573043

www.siamdent.com

Diagnostic and Imaging Equipment

Treatment Units

Handpieces and Instruments

Endodontic System

Laser Equipment

Laboratory Devices

Educational and Training Systems

Auxiliaries

Subject to technical changes and errors.

Pub: No. DI165-B00003-EN-3 JME EN0421