



MORITA

# Veraview FX800



Thinking ahead. Focused on life.

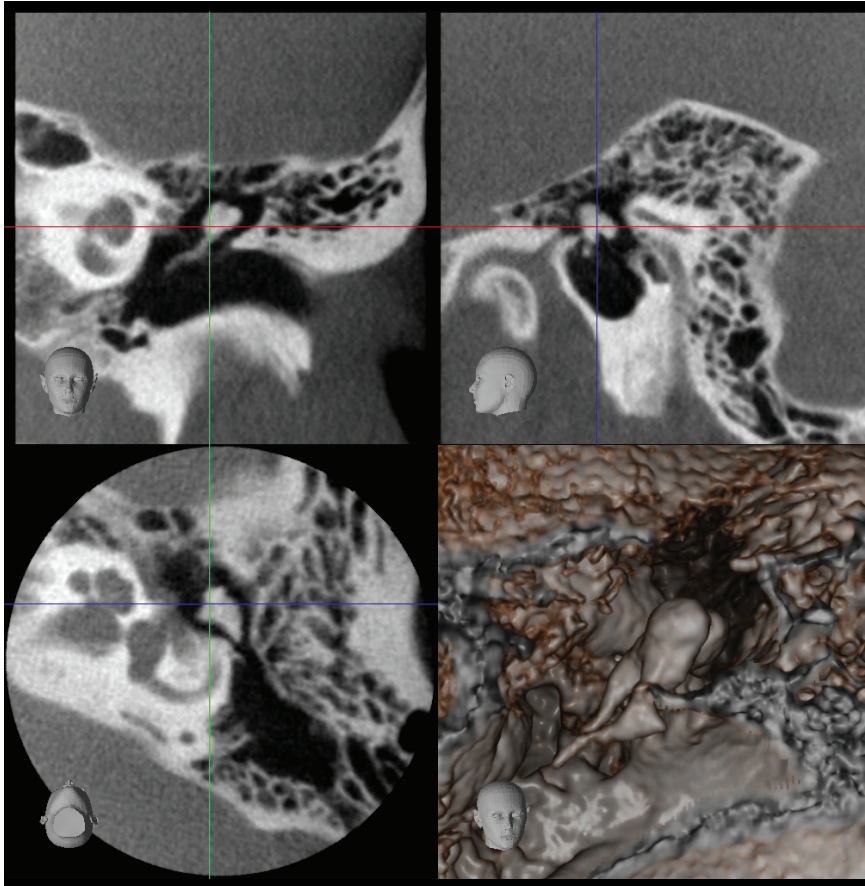


# Veraview FX800

## **The New Frontier for CBCT Imaging**

The Veraview FX800 is a CBCT X-ray unit that produces stunning images for ENT evaluation. It is intended for the examination and diagnosis of the skull including the ENT region. High resolution, this unit offers a minute voxel size of just 80  $\mu\text{m}$  and features an adjustable horizontal X-ray beam for artifact reduction. Two exposure modes offer control and flexibility with a 360° high definition scan, or a faster 180° rotation with reduced dose. The Veraview FX800 has reached the pinnacle of CBCT imaging technology.

# High Resolution Images

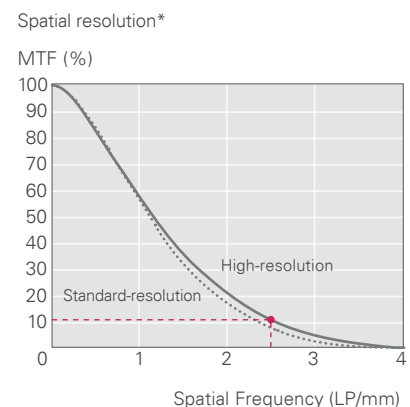


Ø 40 x H 40 mm High resolution (80 µm)

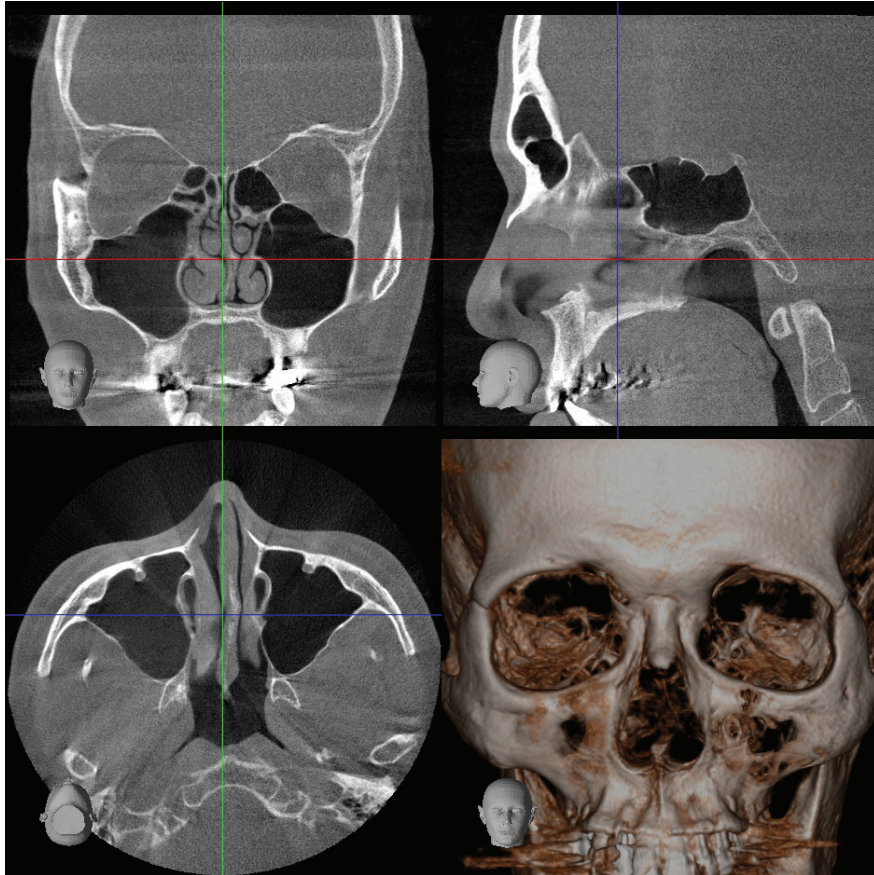
## High-resolution, limited-field CBCT Imaging

For FOV Ø 40 × H 40 exposures, the voxel size is 80 µm and resolution is 2.5 LP/mm.

\* Spatial resolution indicates how small objects can be and still be discriminated visually. This is called spatial frequency and is usually expressed as "line pairs per millimeter (LP/mm)". This indicates how many pairs of white and black lines can be discriminated within 1 millimeter; the higher the number, the greater the resolution. MTF (Modulation Transfer Function) is one way to objectively evaluate the line-pair resolution and objectively express how many line-pairs and at what level of contrast can be discriminated. Generally, if MTF is 10%, naked eye discrimination is possible. Spatial resolution does not depend only on voxel size.



# Various Fields of View



## Maximum FOV Ø 150

The largest field of view, Ø 150 x H 140 mm allows a scan of the entire Maxillary Sinuses, useful for observation and treatment.

FOV	Voxel Size	180° Mode	360° Mode
Ø 40 x H 40 High Res	0.080 mm	○	○
Ø 40 x H 40	0.125 mm	○	○
Ø 80 x H 80	0.125 mm	○	○
Ø 150 x H 75*	0.320 mm	—	○
Ø 150 x H 140*2			

\* Employed data equivalent to 180° exposure

\*2 Two 360° exposures, upper and lower. Employed data equivalent to 180° exposure

## Zoom Reconstruction Function\*3

For the first time, Morita's Zoom Reconstruction feature is available on a multi-functional unit. After taking an image with a voxel size of 125 µm, reconstruction can be repeated for a higher resolution of 80 µm voxel size without retaking the exposure.

\*3 This function cannot be used for Ø 150 exposure.

# Face-to-Face Design



## Face-to-Face Positioning

Laser beam positioning is more accurate if you have good communication with the patient.

## Wheelchair Compatible

The chin rest can be lowered to approximately 34" (865 mm) (Short Column) to accommodate patients in wheelchairs.

## Control Panel

The control panel moves freely so that it can be used from the front, or side, for improved access during patient positioning.



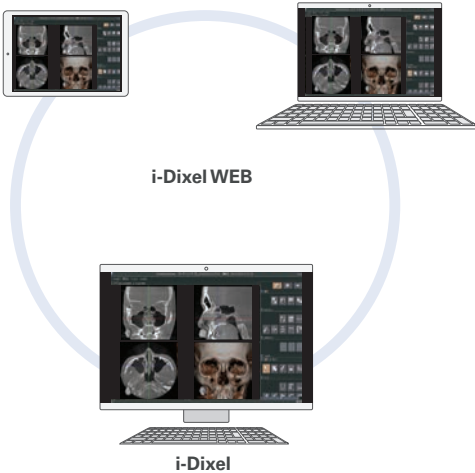
# Network System in Clinic

### i-Dixel WEB

CBCT and 2D images can be displayed on any PC or tablet computer using a conventional web browser without installing any special software, which is convenient and helpful for patient consultation.

### i-Dixel conforms to the following DICOM

- 1. Modality worklist management service class
- 2. Storage service class
- 3. Modality performed procedure step service class
- 4. Print management service class



Small Base



Large Base

# Specifications

Name: Veraview FX800  
 Model: X800N  
 Rating: AC 120 V 60 Hz

Power Consumption: 2.0 kVA  
 Weight: Approx. 408 lbs. (185 kg)

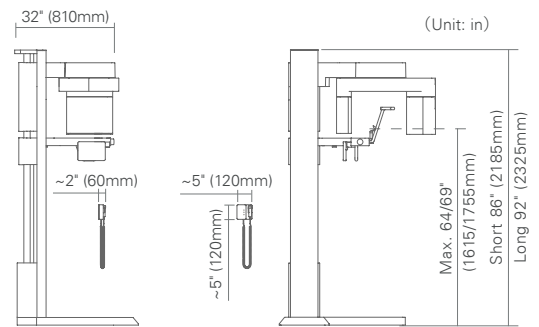
Manufacturer: J. MORITA MFG. CORP.

X-ray Tube Voltage: 60 – 100 kV (depending on exposure mode)  
 X-ray Tube Current: 2 – 10 mA (depending on exposure mode)  
 Nominal Focal Spot: 0.5

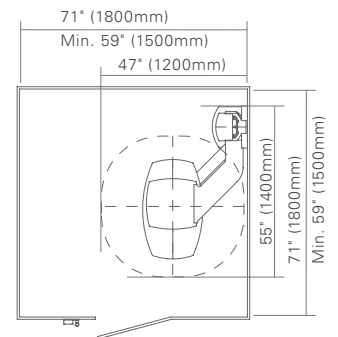
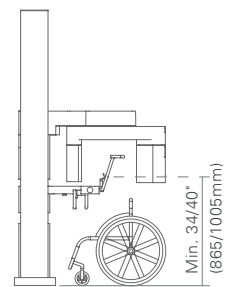
CBCT Exposure Time: Approx. 9.4 sec. (180°) / approx. 17.9 sec. (360°)  
 CBCT Exposure Regions:  
 - Ø 40 x H 40  
 - Ø 80 x H 80  
 - Ø 150 x H 75  
 - Ø 150 x H 140

Wear protective aprons and coverings as necessary during X-ray exposure.  
 The unit must be fixed to the floor and wall when installed.  
 If minimal layout dimensions are used, there may be very little space to move around inside the booth.

Available in USA only  
 Rx Only



CBCT Unit



Diagnostic and Imaging Equipment

Treatment Units

Handpieces and Instruments

Endodontic System

Laser Equipment

Laboratory Devices

Educational and Training Systems

Auxiliaries



**MORITA**

Development and Manufacturing

**J. MORITA MFG. CORP.**

680 Higashihama Minami-cho, Fushimi-ku,

Kyoto 612-8533, Japan

T +81. (0)75. 611 2141, F +81. (0)75. 622 4595

**Morita Global Website**

**[www.morita.com](http://www.morita.com)**

Distribution

**J. MORITA USA, INC.**

9 Mason, Irvine CA 92618, USA

T +1. 949. 581 9600, F +1. 949. 581 8811

Subject to technical changes and errors.

MEDPCT.04.01

L-1614 05/21